

Standard element – single extension – drawer/inner drawer

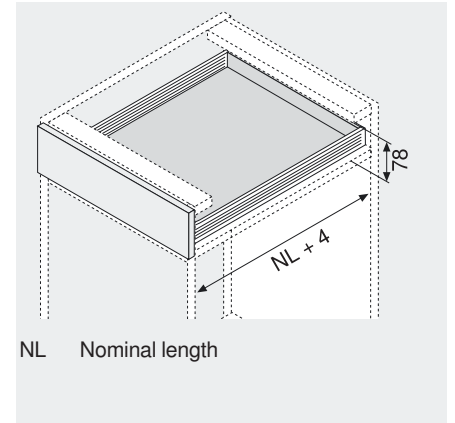
Product



Description

- Single extension with 54 mm high
- Epoxy coated steel drawer sides
- Drawer sides in cream (RAL 9001) as standard and in grey (RAL 9006) and white upon request
- High impact nylon rollers
- Dyn. load bearing 25 kg
- BLUMATIC self closing feature
- 2-dimensional front adjustment

Space requirement



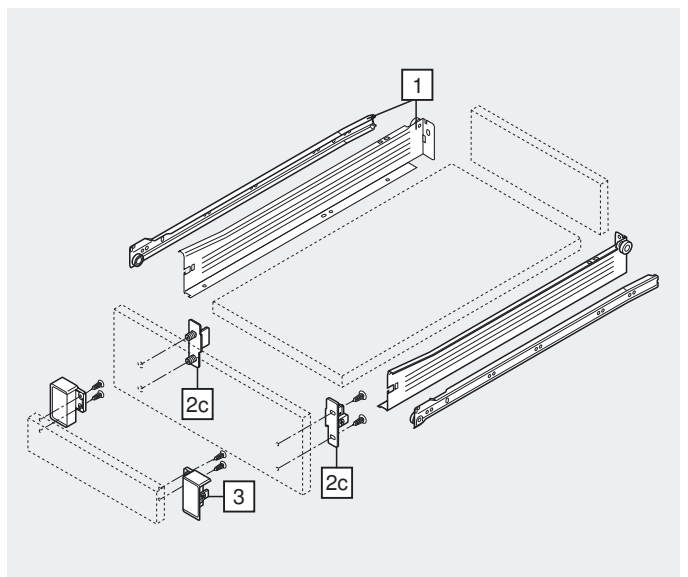
Order information

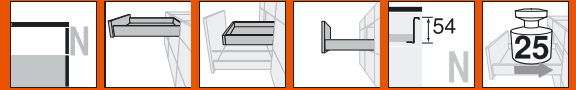
1 Cabinet profile drawer side left/right, RAL 9001 cream		
Nominal length NL	Screw-on version	Quick assembly
270 mm	320N2700C	320N2700C15
350 mm	320N3500C	320N3500C15
400 mm	320N4000C	320N4000C15
450 mm	320N4500C	320N4500C15
500 mm	320N5000C	320N5000C15
550 mm	320N5500C	320N5500C15

Other colours available upon request (white or grey)

2c Standard front fixing brackets left		
Screw-on version	ZSF.1510	
Knock-in version	ZSF.1610	
Order left and right		

3 Front fixing for inner drawers		
Nylon	ZIF.3010	
RAL 9001 cream		
Order left and right		





Standard element – single extension – drawer/inner drawer

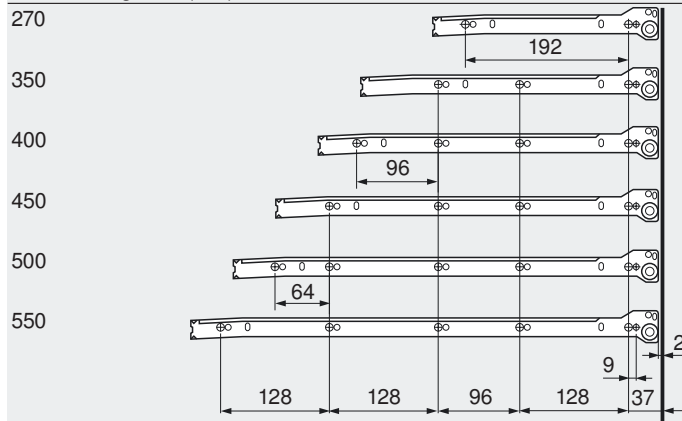


Planning

Space requirements in cabinet	Installation dimensions for screw-on front	Drilling dimensions for knock-in or EXPANDO front	Back installation dimensions
* + 3 mm for inner drawer	B Front overlay Drawer Inner drawer	Drawer	

Cabinet profile screw positions

Nominal length NL (mm)



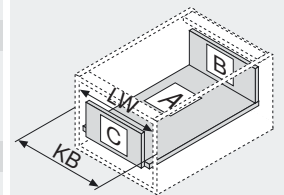
Min. internal cabinet depth = nominal length NL + 4 mm

Cabinet profile fixing positions

313

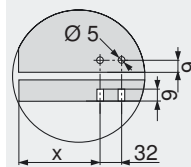
Cutting dimensions for 16 mm chipboard

	Back 39 mm
	Base Drawer NL - 2 mm Inner drawer NL - 18 mm
	Front inner drawer 61 mm



KB Cabinet width
LW Internal cabinet width
NL Nominal length

Base assembly for quick assembly version



	X
Drawer	69 mm
Inner drawer	53 mm

Page instructions

Overview – METABOX	276
Accessories	306
Assembly and adjustment	314
Assembly devices	420
More technical details	510